

31.5" 4K Medical Display

FS-P3102D FS-P3102DS FS-P3102DG



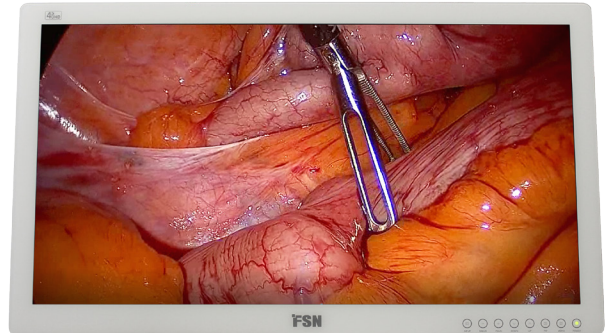
- 4K DCI (4096 wide pixel resolution).
- Optical bonding for the best image (FS-P3102DS, FS-P3102DG).
- Backward compatibility with HD and SD.

The FS-P3102D series of surgical displays from FSN offers everything needed to present the best possible images to medical professionals.



4K Video Ready

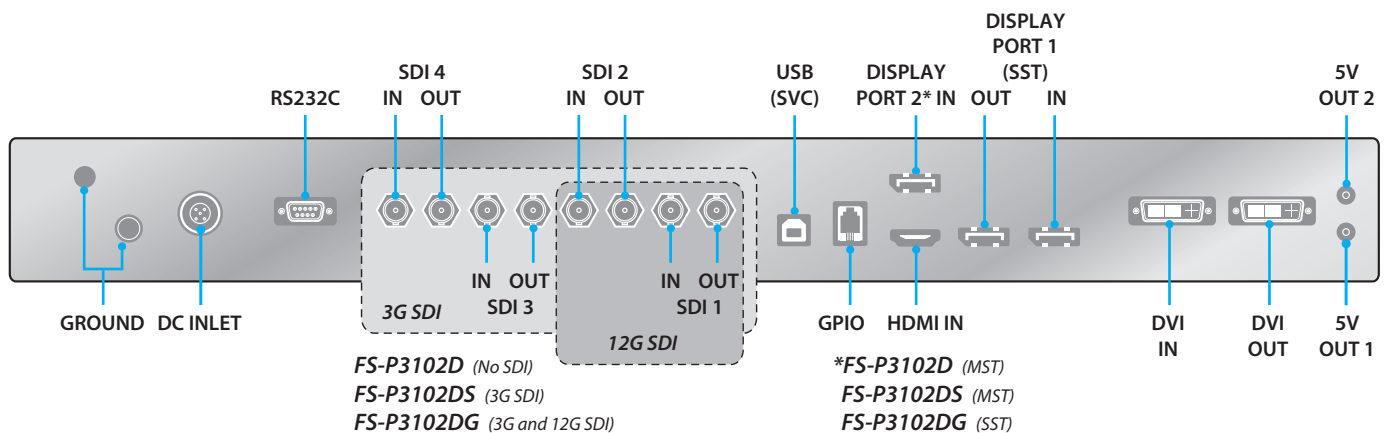
Depending on the preferred model, compatible signal/connector types include HDMI, DisplayPort, DVI, or SDI. Multiple images can be shown together on the same screen, using PIP or PBP. Using optional 3G SDI connections, there are quad screen layout settings which support 2-sample interleave or square division. Multi-screen viewing provides simultaneous reference to different image modalities that may be required during a procedure.



Designed for Human Interaction

The FS-P3102D series is designed with edge-to-edge protective front glass. This gives the monitor its slim, sleek appearance, and allows for easy cleaning of the monitor's front surface. There are no recessed areas on the front for unwanted materials to collect, thus improving sanitization practices. Rounded bezel corners help guard against bumping injuries, especially in today's active operating room environments. A back cable cover is provided with each monitor to manage cords and wires.

FSN goes to great lengths to assure that monitor viewing angles remain as high as possible. This means that several clinicians can view the display in the same room without distortion or loss of image quality.



www.fsnmed.com

Foreeseon Custom Displays, Inc.
2210 E. Winston Road
Anaheim, CA 92806 USA
Tel: 714-300-0540
Fax: 714-300-0546

San Jose, CA Tel: 714-507-3851
Fort Lee, NJ Tel: 714-507-3852

Foreeseon Korea
404B, PangyoInnovalley B
253 Pangyo-ro
Bundang-gu Seongnam-si
Gyeonggi-do, Korea 463-400
Tel: +82-31-8018-0780
Fax: +82-31-8018-0786

Foreeseon GmbH
Industriestrasse 38a
63150 Heusenstamm, Germany
Tel: +49 6104 64398 0
Fax: +49 6104 64398 11

Foreeseon UK Ltd.
Unit 71 Barwell Business Park
Leatherhead Road
Chessington, Surrey KT9 2NY
Tel: +44 (0) 208 546 1047

Foreeseon (Shanghai)
Medical Equipment Co., Ltd.
Room 307, 3F
No. 56, 461 Hongcao Road
Caohejing Development District
Xuhui, Shanghai 200233
Tel: 86-21-6113-4188

31.5" 4K Medical Display

FS-P3102D FS-P3102DS FS-P3102DG

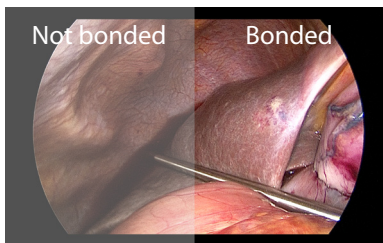
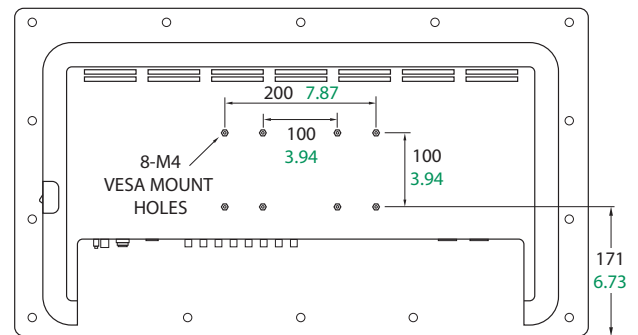
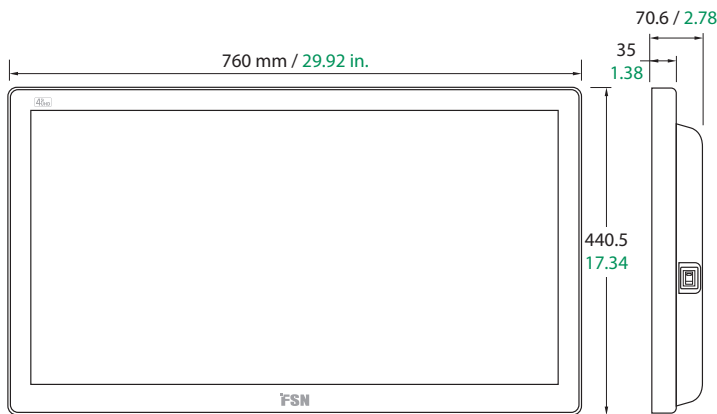


Specifications

General Features

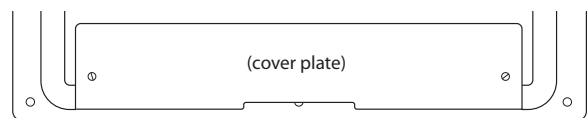
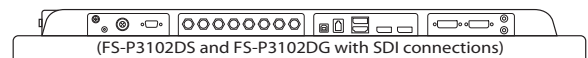
Item	Description
Panel	31 inch TFT LCD (LED)
Resolution	4096 x 2160 pixel
Aspect Ratio	17 : 9
Active Area	697.958 (H)mm x 368.064 (V)mm
Pixel Pitch (mm)	0.1704 x 0.1704
Response Time (typical)	11 ms (rise time)
Number of Colors	1.07 Billion
Brightness (typical)	350 cd/m ²
Contrast Ratio (typical)	1500 : 1
Surface Treatment	Anti-glare
Viewing Angle (CR>10)	R/L 178°, U/D 178°
Input Signal	1 x HDMI 2.0
	1 x DP 1.2 (SST) & 1 x DP 1.2 (MST) available on FS-P3102D & FS-P3102DS
	2 x DP 1.2 (SST) available on FS-P3102DG
	1 x DVI (single link)
	4 x SDI (3G) available on FS-P3102DS 4 x SDI (3G), 2 x SDI (12G) available on FS-P3102DG
Output Signal	1 x DP 1.2 (SST)
	1 x DVI (single link)
	4 x SDI (3G) available on FS-P3102DS
	4 x SDI (3G), 2 x SDI (12G) available on FS-P3102DG

Item	Description
Power Supply	AC/DC Adaptor (AC 100~240V, DC 24V/6.6A)
Power Consumption	FS-P3102D 90W max
	FS-P3102DS 110W max
	FS-P3102DG 110W max
Accessories Included	User manual, AC-DC adaptor, AC power cord, DP cable, HDMI cable, DVI-D cable, BNC cable (SDI models), Screw BH M4 x 14
Unit Dimension	761.5(W) x 442(H) x 70.6(D) mm 29.98(W) x 17.4(H) x 2.78(D) inch
Package Dimension	914.4(W) x 749.3(H) x 234.95(D) mm 36(W) x 29.5(H) x 9.25(D) inch
IP Rating	IP33 - overall
Weight	FS-P3102D 10.45 kg, 23.04 lbs. (monitor with cover) 16.29 kg, 35.91 lbs. (shipping package)
	FS-P3102DS 11.07 kg, 24.41 lbs. (monitor with cover) 17.17 kg, 37.85 lbs. (shipping package)
	FS-P3102DG 11.07 kg, 24.41 lbs. (monitor with cover) 17.17 kg, 37.85 lbs. (shipping package)
Certifications	ANSI/AAMI ES60601-1(UL60601-1), CAN/CSA C22.2 No. 60601-1, FCC Class B, EN60601-1, EN60601-1-2, CE, MDD(93/42/EEC) Class I Medical Device



FSN's optical bonding process (right) improves contrast ratio and brightness, and increases humidity resistance and breakage resistance.

Optical bonding applies to FS-P3102DS and FS-P3102DG.



FSN Medical Technologies products meet RoHS2 and Registration, Evaluation, Authorisation and Restriction of Chemicals (REACH) obligations. FSN manages the information flow as required by regulations.