

27" 4K Medical Display

FM-B2702D FM-B2702DG

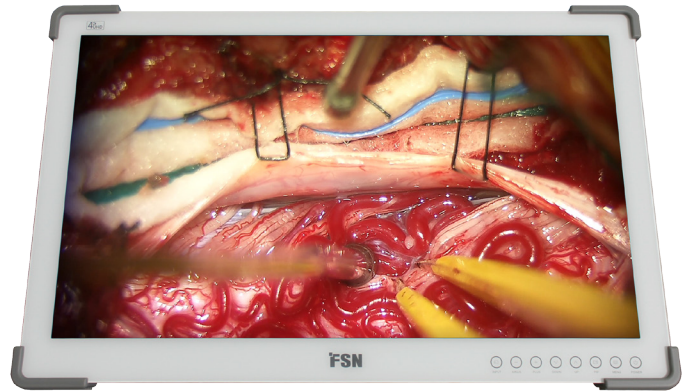


More Pixels, Sharper Images

FSN's 27 inch 4K UHD medical grade display monitor shows 4 times more pixels compared to a conventional HD monitor. This allows fine details to be seen during minimally invasive procedures such as endoscopy or laparoscopy. This monitor will accept multiple video signals, and has layout options for PIP and PBP. When two images are displayed, they can be swapped, re-sized, or moved to a different section of the screen

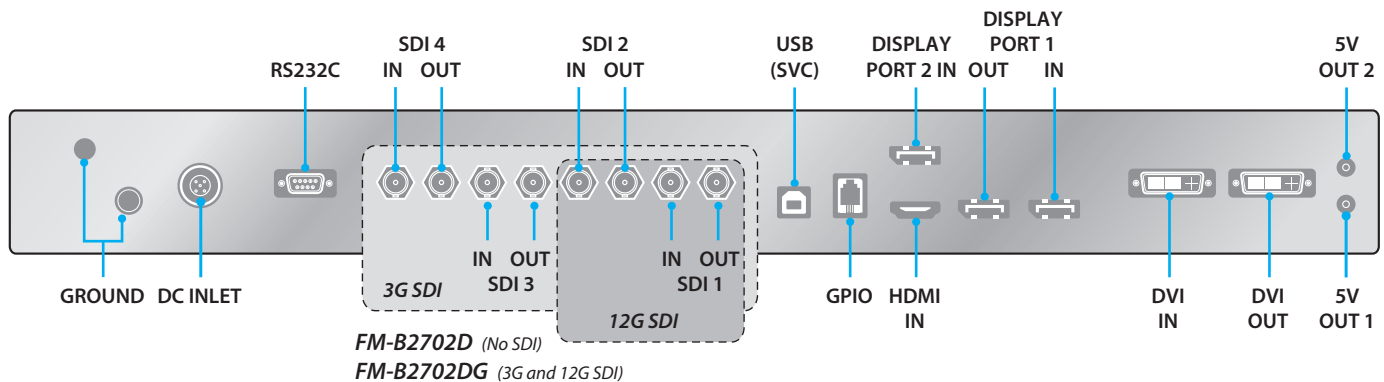
Choice of Video Inputs

This monitor comes in two configurations. FM-B2702D has video connections for HDMI, DisplayPort, and DVI. FM-B2702DG adds support 3G and 12G SDI, giving it the ultimate in current and future video signal compatibility. 3G SDI offers quad link formats as 2-sample interleave or square division. FSN monitors are designed for fast detection of incoming signals thanks to robust mode tables.



Attention to Ergonomic Detail

Unique design features include flush-front glass (ingress protection 33 rating) and touch menu control for easy cleaning and disinfection. There are no recessed areas on the front screen, thus eliminating collection points for unwanted material. These monitors come with built in protective bumpers on the bezel corners to guard against accidental contact injuries when boom arm mounted in the operating room at head level.



www.fsnmed.com

Foreseeson Custom Displays, Inc.
 2210 E. Winston Road
 Anaheim, CA 92806 USA
 Tel: 714-300-0540
 Fax: 714-300-0546

San Jose, CA Tel: 714-507-3851
 Fort Lee, NJ Tel: 714-507-3852

Foreseeson Korea
 404B, PangyoInnovalley B
 253 Pangyo-ro
 Bundang-gu Seongnam-si
 Gyeonggi-do, Korea 463-400
 Tel: +82-31-8018-0780
 Fax: +82-31-8018-0786

Foreseeson GmbH
 Industriestrasse 38a
 63150 Heusenstamm, Germany
 Tel: +49 6104 64398 0
 Fax: +49 6104 64398 11

Foreseeson UK Ltd.
 Unit 71 Barwell Business Park
 Leatherhead Road
 Chessington, Surrey KT9 2NY
 Tel: +44 (0) 208 546 1047

Foreseeson (Shanghai)
 Medical Equipment Co., Ltd.
 Room 307, 3F
 No. 56, 461 Hongcao Road
 Caohejing Development District
 Xuhui, Shanghai 200233
 Tel: 86-21-6113-4188

27" 4K Medical Display

FM-B2702D FM-B2702DG

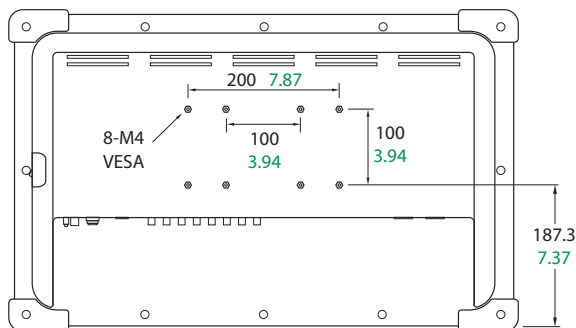
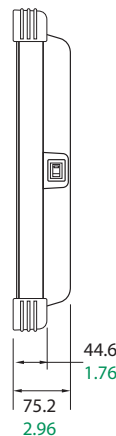
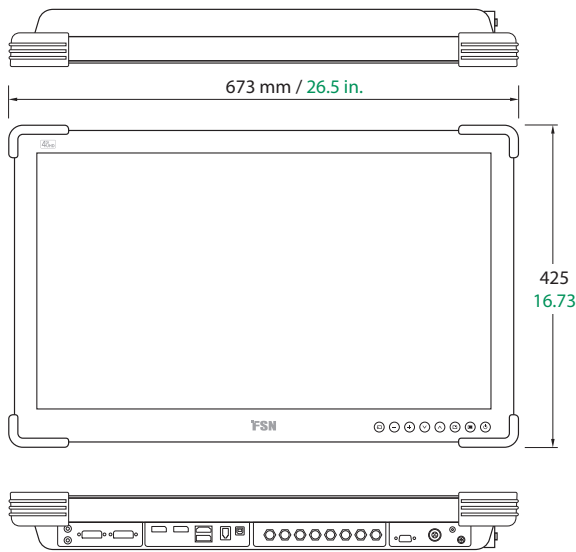


Specifications

General Features

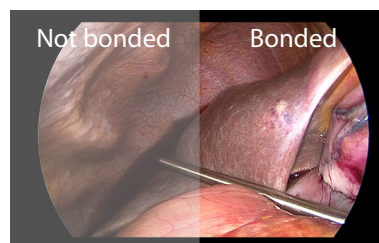
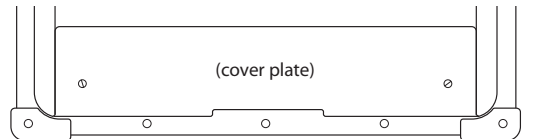
Item	Description
Panel	27 inch TFT LCD (LED)
Resolution	3840 x 2160 pixel
Aspect Ratio	16 : 9
Active Area	596.74 (H)mm x 335.66 (V)mm
Pixel Pitch (mm)	0.1554 x 0.1554
Response Time (typical)	11 ms (rise time)
Number of Colors	1.07 Billion
Brightness (typical)	800 cd/m ²
Contrast Ratio (typical)	1400 : 1
Surface Treatment	Anti-glare
Viewing Angle (CR>10)	R/L 178°, U/D 178°
Input Signal	1 x HDMI 2.0
	2 x DP 1.2 (SST)
	1 x DVI (single link)
	4 x SDI (3G), 2 x SDI (12G) available on FM-B2702DG

Item	Description
Output Signal	1 x DP 1.2 (SST)
	1 x DVI (single link) 4 x SDI (3G), 2 x SDI (12G) available on FM-B2702DG
Power Supply	AC/DC Adaptor (AC 100~240V, DC 24V/6.6A)
Power Consumption	FM-B2702D 85W FM-B2702DG 100W
Accessories Included	User manual, AC-DC adaptor, AC power cord, DP cable, HDMI cable, DVI-D cable, BNC cable (SDI models), Screw BH M4 x 14
Unit Dimension	673(W) x 425(H) x 75.2(D) mm 26.50(W) x 16.73(H) x 2.96(D) inch
Package Dimension	755.65(W) x 654.05(H) x 234.95(D) mm 29.75(W) x 25.75(H) x 9.25(D) inch
IP Rating	IP33 - overall
Weight	FM-B2702D 8.73 kg, 19.25 lbs. (monitor with cover) 13.45 kg, 29.65 lbs. (shipping package)
	FM-B2702DG 9.2 kg, 20.28 lbs. (monitor with cover) 14.1 kg, 31.09 lbs. (shipping package)
Certifications	ANSI/AAMI ES60601-1 (UL60601-1), CAN/CSA C22.2 No. 60601-1, FCC Class B, EN60601-1, EN60601-1-2, CE, MDD(93/42/EEC) Class I Medical Device



NOTE: FM-B2702D, shown above, does not support SDI.

Other drawings show FM-B2702DG (3G and 12G SDI support).



FSN's optical bonding process (right) improves contrast ratio and brightness, and increases humidity resistance and breakage resistance.

FSN Medical Technologies products meet RoHS2 and Registration, Evaluation, Authorisation and Restriction of Chemicals (REACH) obligations. FSN manages the information flow as required by regulations.